

# 2025 FIHB WHR World Cup

Ladies, Pro Elite

(FIHB WHR 5 stars competition)

Buenos Aires (Argentina)

March 24<sup>th</sup>...30<sup>th</sup> 2025



FIHB  
HORSEBALL  
**WORLD**  
CUP 2025  
BUENOS AIRES ARGENTINA

## 2025 FIHB WHR World Cup

Ladies, Pro Elite  
(FIHB WHR 5 stars competition)

March 24<sup>th</sup>...30<sup>th</sup> 2025

# Definitive Program

This event is organised in accordance with:

- FIHB General Rules, version 4.1;
- FIHB Sport Rules, version 9.2;
- FIHB Organisation Rules, version 8.1;
- FIHB Competition Rules 2024, version 1.2;
- FIHB WHR Rules 2023, version 1.1.

All subsequent published revisions, the provisions of which will take precedence.

An arbitration procedure is provided for in the FIHB Statutes and General Regulations referred to above. In accordance with this procedure, any appeal against a decision rendered by the FIHB or its official bodies is to be settled exclusively by the FIHB Disciplinary Commission.

It is the responsibility of NFs to ensure their participants are of the correct age and of the correct nationality. Players have to comply with the provisions and rules of their own NFs.

---

**Approved by the FIHB – Fédération Internationale Horse-Ball**  
Bureau Meeting

On 21<sup>st</sup> January 2025

Mr. Frederico Cannas  
FIHB President of the Bureau

## I. General Information

### 1. DENOMINATION OF THE EVENT

**III Ladies FIHB WHR World Cup**  
**V Pro Elite FIHB WHR World Cup**  
(FIHB WHR 5 stars competition)

DATE: 2025, March 24th...30<sup>th</sup>  
PLACE: Buenos Aires - Argentina  
CATEGORIES: Ladies, Pro Elite  
COUNTRY: Argentina (ARG)

### 2. HONORARY COMMISSION

- President of the Horseball International Federation, Mr. Frederico Cannas
- President of the Argentinian Horseball Association, Mr. Pablo Segovia

### 3. ORGANIZER

Name: Asociacion Argentina de Horseball and Sociedad Rural Argentina  
Address: Av. Sta. Fe 4363, C1425BHF  
Buenos Aires - Argentina  
Phone: +54 911 6568 9020  
E-mail: [administracion@horseballargentina.com.ar](mailto:administracion@horseballargentina.com.ar)  
Internet site: <https://larural.com.ar>

### 4. ORGANISING COMMITTEE

Honorary President: Frederico CANNAS (POR)  
President of the Event: Pablo SEGOVIA (ARG)  
Members: Diego LEVATO (ARG)  
Paula CRENNNA (ARG)  
Luciana MICHA (ARG)  
Mariel POSE (ARG)  
Show Secretary: Mariel POSE (ARG)  
Press Officer y  
Relaciones Institucionales: Ana Elizabeth HEREDIA (ARG)  
For the FIHB Dayana RODRIGUEZ SECAS (URY)

## 5. EVENT DIRECTOR

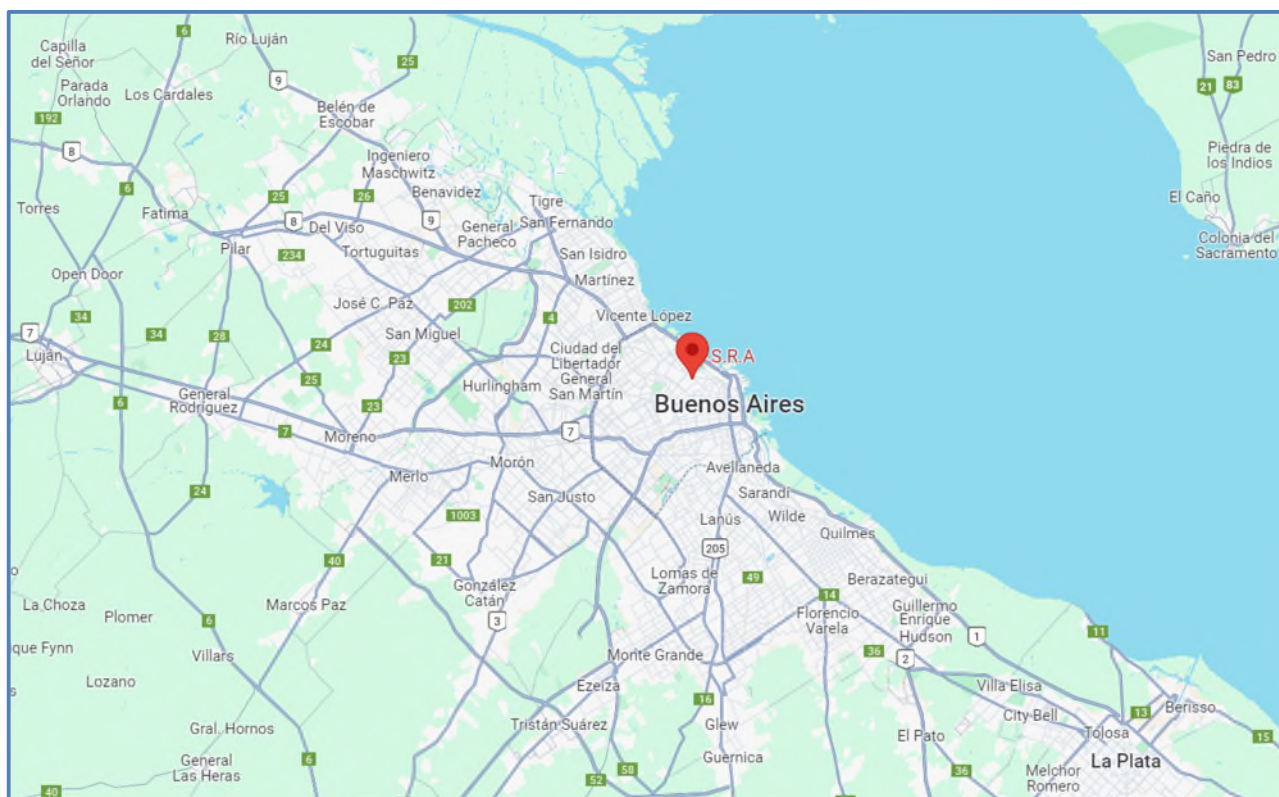
Name: Pablo SEGOVIA (ARG)  
Telephone: +54 911 6568 9020  
E-mail: presidencia@horseballargentina.com.ar

## 6. STAFF

Competition Secretary: Paolo GEMME (ITA)  
Barbara GALANTUCCI (ITA)  
Timekeeper 1: to be nominated (ARG)  
Timekeeper 2: to be nominated (ARG)  
Speaker 1: to be nominated (ARG)  
Speaker 2: to be nominated (ENG)  
Stable Manager: to be nominated (ARG)  
Logistic: to be nominated (ARG) - La Rural

## 7. MAP TO REACH THE EVENT

Address: C1425BHF, Av. Sta. Fe 4363, C1425BHF Buenos Aires, Argentina  
GPS coordinates: -34.57958, -58.42093



The premises of the Sociedad Rural de Buenos Aires is located within the city itself.

How to join:

- **By plane:** Airport Ministro Pistarini EZEIZA

## II. Officials

### 1. SUPERVISOR COMMITTEE

<b>President:</b>	Francis DUMONS (FRA)
<b>Member:</b>	Jim COPELAND (GBR)
<b>Member:</b>	Javier HERMOSO (ESP)

### 2. APPEAL COMMITTEE

<b>President:</b>	Jim COPELAND (GBR)
<b>Members:</b>	Frederico CANNAS (POR)
	Francesc PUY (ESP)

### 3. VETERINARY COMMISSION

<b>President:</b>	Dr.Federico CARBONE (ARG)
<b>Member:</b>	Dr.Mauro CRENNNA (ARG)

### 4. REFEREES

<b>Referee 1:</b>	Melchior DE BARY (FRA)
<b>Referee 2:</b>	Quentin GAUTHIER LAFAYE (FRA)
<b>Referee 3:</b>	Javier HERMOSO (ESP)
<b>Referee 4:</b>	Frédéric PETREQUIN (FRA)
<b>Referee 5:</b>	Loic SÉGEAR (FRA)
<b>Referee 6:</b>	Laurie THÉORÊT (CAN)

## III. Specific Technical Conditions

### 1. VENUE

The event will take place: indoors and outdoors

### 2. COMPETITION ARENA

Outdoor 1:	
Dimensions:	65 m x 25 m
Type of Footing:	sand
Type of Protections:	inflatable pitch approved by FIHB
Indoor 2:	
Dimensions:	65 m x 25 m
Type of Footing:	sand
Type of Protections:	inflatable pitch approved by FIHB

### 3. PRACTICE ARENA

Indoor:

Dimensions: 65 m x 25 m

Type of Footing: sand

Outdoor:

Dimensions: 65 m x 25 m

Type of Footing: sand

### 4. STABLES

Size of boxes 3 m x 3 m

### 5. INVITATIONS

Number of NFs invited: 17 (Ladies, Pro Elite)

NFs invited: all Nations invited

Total number of players: **192**

Number of horses per player: 1

Number of players per team: 8 maximum, 6 minimum

And the following persons: 1 Coach per Team

1 Team Leader per Team

#### **Maximum Number of persons per Team: 10**

National teams are invited to participate by the International Horseball Federation (FIHB).

## IV. Entries

### 1. ENTRIES AND ENTRY FEES

Entries In principle (FIHB GR art.19.5.1) **by May 1<sup>st</sup> 2024**

**Please note that after the entries in principle will be sent, the team can only cancel its inscription with a written communication to be sent to competitions@fihb.net by September 1<sup>st</sup> at 24:00. After that deadline any team that renounce to participate must pay the full inscription fee.**

Nominative Entries (FIHB GR art.19.5.2) **by September 1<sup>st</sup> 2024**

Definitive Entries (FIHB GR art.19.5.3) **by January 15<sup>th</sup> 2025**

- a) Inscription fee per Team: see amount specify here below to be paid in 2 instalments:**
- **on September 1<sup>st</sup> 2024;**
  - **on January 15<sup>th</sup> 2025.**

An inscription fee of 600€/participants (player, coach, team leader) is requested to each participant. In each team there can be maximum 1x coach, 1x team leader, 8 players and can be minimum of 6 players (no coach, no team leader). Here below the table for the inscription fee from 6 to 10 participants.

Number of participants	Inscription fee	First instalment by September 1 <sup>st</sup> 2024	Second instalment by January 15 <sup>h</sup> 2025
10	<b>6000 €</b>	3000 €	3000 €
9	<b>5400 €</b>	2700 €	2700 €
8	<b>4800€</b>	2400€	2400 €
7	<b>4200€</b>	2100 €	2100 €
6 note 1	<b>3600€</b>	1800 €	1800 €

note 1: minimum 6 players

The inscription fee includes:

- **Accommodation:** 8 nights in studios without breakfast for the requested number of persons (6 to 10 persons) per team with arrival on Sunday 23<sup>rd</sup> March and departure on Monday 31<sup>st</sup> March; additional nights can be booked by the OC, please contact Pablo Segovia at administracion@horseballargentina.com.ar;
- **Meals:** lunch and dinner for the requested number of persons (6 to 10 persons) per team from the **lunch** on Monday March 24<sup>th</sup> to the **lunch** on Sunday March 30<sup>th</sup>. Please note that **FIHB World Awards Dinner on Wednesday 26<sup>th</sup> will be at an extra fee per person;**
- **Entrance tickets:**
  - Players, coach and team leader will have bracelets for free entrance to the fair (6 to 10 persons);
  - There will also 6 to 10 extra tickets for free entrance to the fair per team.
- **Stabling:** 9 boxes per team (8x horses and 1x tack);
- **Horse first bed:** first bed with straw is free of charge.

**b) FIHB fees for all participants: to be paid by January 15<sup>th</sup> 2025**

All the participants (players, horses, coaches, Nations, referees) to a FIHB WHR competition have to be registered to the FIHB by paying her/his/its FIHB fee as below described. All the participants (player, horse, coach, club/Nation, referee) in a FIHB WHR competition are entitled to earn points for the FIHB World Horseball Ranking (WHR) lists.

WHR Inscription fees	
Category	5 stars competition
Player	30€
Horse	free note 1
Coach	30€
Nation	100€

note 1: not due, offered by FIHB

Please find below the bank details for the payment via bank transfer.

**Inscription fees:**

- **1<sup>st</sup> instalment by September 1<sup>st</sup> 2024;**
- **2<sup>nd</sup> instalment by January 15<sup>th</sup> 2025.**

**FIHB fees for all participants:**

- **by January 15<sup>th</sup> 2025.**

**Name:** Fédération Internationale de Horse-Ball  
**Address:** Paseo de Gracia nº 95, 5<sup>o</sup>-1<sup>a</sup> – 08008 Barcelona - Spain  
**Bank:** Banco de Sabadell  
**Address:** Plaza Cesar August Torres nº 1 – Camprodon (Girona) - Spain  
**IBAN:** ES54 0081 1719 0800 0110 6120  
**SWIFT/BIC:** BSABESBBXXX

## 2. PLAYERS

**Ladies and Pro Elite age limits:** players may take part from the beginning of the year they reach the age of 16 (they must have 15 years at 1<sup>st</sup> January; FIHB GR ver.4.1 art.22.4 and FIHB SR ver.8.4 art.5a).

A player can participate at an event in only one team per category but in more teams in different categories with a maximum of two matches a day (FIHB GR ver.4.1 art.22.6 and FIHB SR ver.8.4 art.5a).

**Each team can come with 8 players but a minimum of 6 players are mandatory.**

## 3. HORSES

**Each team can present with 8 Horses but minimum 7 horses are mandatory.** Each horse can participate in one team only (FIHB SR ver.8.4 art.6a).

**Senior:** horses and pony D (height from 140cm without shoes and from 141cm with shoes).



## v. Facilities

### 1. TEAMS

**Accommodation:** the expenses of the teams are included in the inscription fee.

**Meals:** lunch and dinner for the requested number of persons (6 to 10 persons) per team from the **lunch** on Monday March 24<sup>th</sup> to the **lunch** on Sunday March 30<sup>th</sup>, are included in the inscription fee.

**FIHB World Awards on Wednesday 26<sup>th</sup> will be at an extra fee per person.**

**Additional meals:** there are several opportunities to eat in La Rural, food trucks and restaurants; companions can choose the place where to eat.

### 2. HORSES

**Transport:** included for rented horses while at the expenses of the team for the own horses.

**Option 1 - Rented horses:** Rented horses will be draw from a pool of horses !

**The horses will be identified by numbers in the stables and they will be allocated to players by a draw.**

Teams that will use this method will also have the possibility to use 1 Joker spare horse per team in case there is an injury (see art.12bis.6 FIHB General Rules).

**After that no other changes will be allowed.**

**Price per rented Horse: 600 €**

- Food included;
- Transport included;
- No grooms included extra fee can apply;
- Bridle and Polo saddle included; the OC suggests the players to bring their own saddle;
- Saddle pads, bell boots (suggested M or L size), bandages, pickup strap, martingale and chest collar **not included in the rental.**

**Payment:** must be done in **cash presential.**

**Availability:** the horses will be available to the players right after the draw and they can be tried out the day of the 23<sup>th</sup> and 24<sup>th</sup> March.

**Option 2 - Own Horses:** Teams that want to present previously chosen horses for the competition are allowed to under the following conditions:

- There will be no chance to change the horses during the competition in any time, as knowing training and preparing in advance the horses will be consider one advantage;
- No Joker spare horses are allowed;
- Horses can enter La Rural, if requested, from March 19<sup>th</sup> with an additional cost of 60€/horse and training from March 20<sup>th</sup>;
- Additional information and/or horse equipment: please contact the owner of the horses and the OC.

**Price per rented Horse: Nations must deal directly with the owners of the horses. The AAHB, FIHB and La Rural are not responsible for the agreements in between parties.**

**IMPORTANT: please note that rented horses (option 1) or own horses (option 2) of the same Nation, after the 1<sup>st</sup> Team Leader Meeting on March 24<sup>th</sup>, cannot be exchanged in between categories (see art.6a FIHB Sport Rules).**

**Extras:** extras must be paid by the Teams, in particular:

- Hay bale: 5 €;
- Wood shavings bale: 5 €.

### ***From FIHB General Rules ver.4.1***

### ***Article 12bis: COMPETITIONS WITH BORROWED HORSES***

International Competitions may be organized entirely (except for the NF hosting the competition if agreed) with horses borrowed by the host NF with the approval of FIHB. In such case, the following conditions apply.

12bis.1 The Organizing Committee will make available the necessary number of horses with at least one horse per player plus a spare pool. A veterinary must inspect all pooled horses before the draw, to determine their fitness.

12bis.2 The pooled horses must be suitable for Horse-Ball and be sufficiently big and strong to carry the rider. All pooled horses must be present and properly identified for example by a number printed on their bodies.

12bis.3 The Ground Jury is in charge of the drawing. The draw must take place immediately prior to the first practice, unless the Ground Jury rules otherwise. The host country will draw first. The order of the draw for the remaining countries will be decided by a draw done by the Supervisor. Each draw will then be for one horse only and this will continue until each player of that team has its horse.

12bis.4 Saddlery and equipment of good condition, approved by the owner of the horse, will be used.

12bis.5 The team may use any of the horses drawn during the competition. A rider must complete an event on the same horse except in case of injury to the horse.

12bis.6 The Organizing Committee should provide a spare pool of horses, but may only be drawn on if the Veterinary present rules that one of the team's horses is unsound or injured. In the absence of a Veterinary, the Ground Jury will rule on this point.

12bis.7 If a horse proves to be totally unsuitable, the team may appeal to the Ground Jury for a replacement from the spare pool.

12bis.8 Practice time: a maximum of two sessions of one and a half hour each will be allowed. This excludes saddling of the horses, but includes the warming up of the horses. A suitable practice pitch should be provided.

### 3. ADVERTISING AND PUBLICITY ON TEAMS AND HORSES EQUIPMENT

The Teams are authorised to show the logos of their personal sponsors on their own equipment but anyway they must inform FIHB first.

### 4. IMAGE RIGHTS

All the images of the FIHB competitions are property of FIHB under International laws. Copying, duplicating as a digital file, printing, publishing in form of media including web, manipulating, transmitting or reproducing without the prior written permission of FIHB is strictly forbidden and would constitute a breach of copyright.

## VI. Miscellaneous

### 1. OPENING CEREMONY

All the National delegations (players, Team Leader and the Coach) must be present in the Opening Ceremony; the National delegation should wear a dress uniform. The ceremony will take place on 24<sup>th</sup> March.

### 2. PRIZES - CLASSIFICATION

- FIHB medals for the top three teams in each category;
- FIHB cup for the Winner in each category and the winner of Group B in Pro Elite;
- FIHB WHR trophy for all the teams;
- FIHB WHR trophy for Best Fair Play Team for each category;
- FIHB WHR trophy, one Kep Italia helmet and one pair of Parlanti knee pads for Best Horse/Player combination for each category.
- FIHB WHR trophy and one Kep Italia helmet for Top Scorer for each category.

The prize “Best Horse/Player combination” will be decided by the Team Leaders, Coaches and by the Ground Jury. The prize “Best Fair Play Team” will be decided by the pool of Referees and the Appeal Committee.

### 3. PRIZE GIVING CEREMONY

All the players must be present in the Prize Giving Ceremony with the Team Leader and the Coach; all the players will be on foot unless the two teams of the last final match that will be on horseback with their grooms available to be able to get down to get on the podium.

All of them must respect the information of the Stewards in order to guarantee the best ceremony organisation.

### 4. INSURANCES

***All owners, players and other members of the Teams (for example but not limited to, team leaders, coaches, grooms, veterinaries, doctors, drivers, etc.) are personally responsible for damages to third parties caused by themselves, their employees, their agents or their horses. They are therefore strongly advised to take out third-party insurance providing full coverage for participation in equestrian events at home and abroad, and to keep the policy up to date.***

***The Event will take place in South America, please be sure your insurance it's valid in South America - Argentina.***

***The International Horseball Federation (FIHB) and the Organising Committee renounce all responsibility for any injuries occurring to owners, players, horses and other members of the Teams caused by accidents and/or illness, and for all loss of property due to theft, damages, fire or mishaps, and to any damage to electronic/electrical appliances used by participants throughout the venue due to incidents with the power supply including but not limited to power surges. The participants will meet all repatriation costs following any accidents. Through their entry in the competition, the participants accept that the FIHB, the Organizing Committee and its agents cannot be held responsible for any accidents during the event and the duration of their stay at the same.***

***Each National Federation or ONHB must send proof of insurance for player and member of the team together with the definitive inscription.***

***Each player and member of the Team must sign the release form available as Annex 1.***

## **5. ENTRY RIGHT TO SHOWGROUNDS**

### **Entrance tickets:**

- Players, coach and team leader will have bracelets for free entrance to the fair (6 to 10 persons);
- There will also 6 to 10 extra tickets to entrance to the fair per team.

The entrance on the Stables Area is just allowed for Teams (players, Team Leader, Coach). Owners can enter by appointment of the Team Leader and with an authorisation of the OC.

## **6. DOCTOR / MEDICAL SERVICE**

Name: to be nominated by La Rural  
Telephone: to be communicated  
Medical Services: Ambulance + Medical Resuscitator

The Doctor's service will grant free assistance within the period while the players are on. Outside this period, the cost will be at the player's expense.

## **7. FARRIER**

Name: Mr. Mario GALUCCI  
Telephone: +54 9 2227 62 5960

The farrier's services will grant free assistance within the period while the players are on. Outside this period, the cost will be at the player's expenses.

## 8. NUESTROS CABALLOS FAIR CONDITIONS

### CONDICIONES PARA HORSEBALL



**25 al 30 de marzo 2025**

#### INFORMACIÓN A TENER EN CUENTA

##### 1- SEGURIDAD

- a) **No se permitirá el ingreso de fuentes calóricas de ningún tipo.** (mecheros, garrafas, calentadores eléctricos, calentadores a combustibles líquidos, sólidos o similares).
- b) **No se permitirá la estiba de fardos dentro de los pabellones.**
- c) **Los cuidadores de los animales no podrán pernoctar dentro del predio.**
- d) **Los animales solo podrán circular por los espacios autorizados.**
- e) **Deberán respetar los horarios de baño y vareo de animales que establezca la organización.**
- f) **No se permitirá el ingreso de fardos o pack, cada cabaña podrá traer** al predio, al inicio de la muestra **como máximo 2 (dos) bolsas de avena.** El resto del consumo deberá adquirirse al proveedor de la raza. En caso de consumir balanceados especiales podrán disponer de los mismos.
- g) **Denuncias por daños:** El expositor asume la obligación de denunciar ante la Coordinación General cualquier hecho dañoso que pudiera generar reclamos, denuncias o demandas -de cualquier tipo que estas fueran-, en que haya tomado intervención un ejemplar de su propiedad y/o su personal, dentro de las 24 hs. de ocurrido dicho hecho. Asimismo, el Expositor deberá prestar la mayor colaboración en la obtención de la información y los antecedentes del caso, y en toda tarea de constatación de los hechos y/o los daños, que pudieran realizar las autoridades policiales, la Coordinación General y/o quienes éstos designen.

##### 2- SEGURO DEL PERSONAL

Es requisito indispensable para realizar eventos o acceder al predio a prestar algún servicio relacionado a los mismos contar con la siguiente cobertura de ART o Accidentes Personales según el caso:

**1. Personal en relación de dependencia:** Será condición esencial para el ingreso de todo el personal al Predio, la constancia de cobertura por **(1) Seguro de Vida Obligatorio (SVO) (decreto ley 1.567/74) y (2) Cobertura de Riesgo de Trabajo (ART).** Se deberán presentar los Certificados de Cobertura de ART con el listado del personal afectado por cada empleador, el cual debe **incluir una Cláusula de No Repetición contra: La Rural S.A. (30-69758304-8) y Sociedad Rural Argentina (30-51252795-3)** y el Certificado de Cobertura de SVO con su correspondiente listado de personal.

**2. Personal sin relación de dependencia:** Será condición esencial para el ingreso al Predio del personal que no se encuentre en relación de dependencia (tales como agentes, directivos, asesores, contratistas, promotoras, etc.) que dichas personas cuenten con **un seguro de Accidentes Personales por muerte o incapacidad** por un monto mínimo asegurado de U\$S 27.000 (Veintisiete mil Dólares Americanos) y por gastos médicos asistenciales de U\$S 5.500 (Cinco mil Quinientos Dólares Americanos).

Adicionalmente, dicha póliza deberá **incluir una Cláusula de No Repetición contra: La Rural S.A. (30-69758304-8) y Sociedad Rural Argentina (30-51252795-3).**

**LA FALTA DE ACREDITACIÓN DE LA EXISTENCIA, VIGENCIA O EXTENSIÓN DE LOS ANTEDICHOS SEGUROS OCASIONARÁ LA DENEGACIÓN DEL INGRESO DEL PERSONAL QUE SE ENCUENTRE AFECTADO POR TALES CONDICIONES, ASÍ COMO DE SU PERMANENCIA EN EL PREDIO FERIAL, NO SIENDO RESPONSABLE LA RURAL S.A., NI LA S.R.A. POR LOS INCONVENIENTES O PERJUICIOS QUE TAL FALTA PUDIERA OCASIONAR A LOS ORGANIZADORES, PROVEEDORES O EXPOSITORES.**

#### PARA ACREDITACIONES Y CONSULTAS SOBRE SEGUROS:

Comunicarse con Atención al Expositor  
vía email: [atencionalexpositor@larural.com.ar](mailto:atencionalexpositor@larural.com.ar)  
[nuestroscaballos@larural.com.ar](mailto:nuestroscaballos@larural.com.ar)

### **3- FORRAJE**

Para una mejor distribución de las tareas, la organización oficializará, de acuerdo a las propuestas de las Asociaciones de Criadores, proveedores de forraje (cama y alimento) los mismos contarán con un espacio en la muestra. Cada Asociación de Criadores, deberá contactarse con ellos para licitar la cama inicial. La organización no asume responsabilidad alguna sobre calidad y consecuencias del consumo del forraje. La organización entregará cada uno de los Boxes SIN CAMA, con lo cual deberán prever la colocación de la misma antes de la llegada de los ejemplares o bien entregarla a los señores cabañeros a medida que ingresen, en este último caso se aconseja contar con algún tipo de vales para que cada cabañero pueda retirar los fardos del proveedor seleccionado por ustedes.

### **4- MOVIMIENTO DE ANIMALES**

#### **INGRESO:**

**Miércoles 19 de marzo de 2025 de 08 a 20 hs.** por Av. Sarmiento.

**Sábado 22 de marzo de 2025** por Av. Sarmiento (para sorteo)

#### **SALIDA:**

**Domingo 30 de marzo a partir de 20 hs.** (en forma paulatina y ordenada) **hasta el lunes 31 de marzo a las 12 hs.** por Juncal.

### **5- DISPOSICIONES SANITARIAS**

Sera responsabilidad de cada productor que desee concurrir a la exposición, solicitar ante la oficina local del SENASA de su jurisdicción, el pedido de intervención para acceder al control oficial. De igual forma deberán prever los tiempos de vacunación pertinentes para la especie con la que participarán.

Las disposiciones vigentes para el 2025 en el siguiente link: <https://sra.org.ar/wp-content/uploads/2023/12/Disposiciones-sanitarias-VIGENTES-NC-2025.pdf>

### **6- ZONA DE ESTACIONAMIENTO DE TRAILERS**

Este año la organización dispondrá de un sector fuera del predio destinado exclusivamente a la permanencia de tráileres durante la Exposición, sin costo alguno.

La zona de estacionamiento estará entre Av. Figueroa Alcorta y la calle Av. Belisario Roldán.

**Acceda al siguiente link para ubicar el lugar:**

<https://maps.app.goo.gl/6aT8V5au5BiXzmCu9>

### **7- PROTOCOLO POR DISTURBIOS**

La organización les solicita, en caso de surgir alguna "manifestación o invasión" en las pistas, mantenerse al margen, no actuar, dado que la seguridad del Predio cuenta con la capacitación necesaria para controlar estos eventos.

#### **INFORMES**

Depto. de Exposiciones: Tel.: 5861- 1222/ 1223 / WhatsApp 11-4404- 3894

E-mail: [inscripcionpalermo@sra.org.ar](mailto:inscripcionpalermo@sra.org.ar) / [nuestroscaballos@larural.com.ar](mailto:nuestroscaballos@larural.com.ar)

## VII. Veterinary Matters

### 1. VETERINARY INSPECTION BEFORE THE MATCHES

A veterinary inspection will be carried out each day on all participating teams for that day at least two hours before the matches.

During the veterinary inspection, all the players of a team must wear the same uniform (riding pants and game shirt) and wear clean and correct footwear (open shoes not allowed).

### 2. SHOW VETERINARY

President: Dr. Federico CARBONE (ARG)

Telephone: +54 911 6675 0999

Member: Dr. Mauro CRENNNA (ARG)

Telephone: +54 923 02 41 0018

The Veterinary's service will grant free assistance within the period while the players are on. Outside this period, the cost will be at the player's expense.

### 3. HEALTH REQUIREMENTS FOR THE ENTRY OF HORSES

#### REQUISITOS SANITARIOS ESPECÍFICOS PARA ÉQUIDOS

**ARTÍCULO 18.- REQUISITOS GENERALES PARA ÉQUIDOS.** Los équidos concurrentes deben cumplir con lo establecido en el apartado 22 del Anexo II de la Resolución N° 617 del 12 de agosto de 2005 de la ex SECRETARIA DE AGRICULTURA, GANADERÍA, PESCA Y ALIMENTOS, "Exposiciones Ganaderas".

**ARTICULO 19.- ANEMIA INFECCIOSA EQUINA (AIE).** A los fines del cumplimiento de los certificados diagnósticos que confirmen la ausencia de Anemia Infecciosa Equina (AIE) solicitados en el punto 22.2 del Anexo II de la Resolución N° 617 del 12 de agosto de 2005 de la ex SECRETARIA DE AGRICULTURA, GANADERIA, PESCA Y ALIMENTOS se establecen los siguientes requisitos específicos:

**Inciso a)** La toma de muestra de sangre debe ser realizada por el Veterinario Local del SENASA o Médico Veterinario Privado Acreditado ante el SENASA para enfermedades equinas.

**Inciso b)** La toma debe realizarse entre los CINCO (5) a los CUARENTA (40) días corridos previos al ingreso al predio ferial.

**Inciso c)** El diagnóstico debe realizarse en la Dirección del Laboratorio Animal de la DIRECCIÓN GENERAL DE LABORATORIOS Y CONTROL TÉCNICO (DGLyCT) del SENASA, o en los Laboratorios de la Red Nacional de Laboratorios de Ensayo y Diagnóstico del SENASA.

**Inciso d)** Se exceptúa de la presentación de diagnóstico negativo a AIE a los equinos que provengan de la zona libre de AIE.

**Inciso e)** En aquellos casos en que el animal se envíe a la zona libre de AIE, debe cumplir con lo normado por la Resolución N° 386 del 15 de junio 2017 del SERVICIO NACIONAL DE SANIDAD Y CALIDAD AGROALIMENTARIA, y que se detalla a continuación:

**Apartado I)** DT-E Y LIBRETA SANITARIA EQUINA O PASAPORTE EQUINO (se debe indicar el número de dicho documento en el DT-e).

**Apartado II)** TENER UN DIAGNÓSTICO NEGATIVO DE AIE que no haya superado el plazo de QUINCE (15) días corridos desde la fecha de extracción de la muestra.

**Apartado III)** En el caso de reingreso de animales a la zona libre de AIE y sólo si superan los QUINCE (15) días corridos de la emisión del DT-e con el cual ingresó a la EXPOSICION, debe presentarse un certificado nuevo de diagnóstico negativo a AIE.

**ARTÍCULO 20.- INFLUENZA EQUINA.** Se establecen los requisitos sanitarios relativos a la Influenza equina que deben cumplir los équidos concurrentes a la EXPOSICION, que a continuación se detallan:

**Inciso a)** Los équidos concurrentes deben ser vacunados por el Veterinario Local del SENASA o por el Médico Veterinario Privado Acreditado ante el SENASA, en DOS (2) oportunidades, la primera entre los VEINTE (20) y SESENTA (60) días corridos previos al ingreso a la exposición y la segunda no menos de DIEZ (10) días corridos antes del despacho a la misma.

**ARTÍCULO 21.- RABIA PARESIANTE.** Se establecen los requisitos sanitarios relativos a la rabia pareasiente que deben cumplir los animales de la especie equina concurrentes a la EXPOSICION, que a continuación se detallan:

**Inciso a)** Los animales procedentes del área endémica de Rabia Pareasiente (al Norte del Paralelo 31° Latitud Sur y al Este del Meridiano 66° Longitud Oeste; incorporando además establecimientos de Córdoba: Departamento Rio Cuarto; La Rioja: Departamentos de General Ocampo, General Belgrano, San Martín, Chamental, Ángel Vicente Peñaloza y Juan Facundo Quiroga; San Luis: Departamentos de Ayacucho, Chacabuco y Junín) deben estar inmunizados contra la rabia con fecha no anterior a los ONCE (11) meses anteriores al momento de ingresar al predio ferial.

**Apartado I)** Los animales que hayan sido vacunados con anterioridad a los ONCE (11) meses previos al momento de ingresar a la EXPOSICION, deben ser vacunados con UNA (1) dosis de refuerzo de la vacuna antirrábica.

**Apartado II)** Los animales que nunca fueron vacunados contra la rabia deben recibir DOS (2) dosis de vacuna, aplicadas con un intervalo entre ambas vacunaciones de entre VEINTE (20) y TREINTA (30) días corridos; la aplicación de la última vacuna debe realizarse al menos TREINTA (30) días corridos antes del egreso del establecimiento.

## **MEDIDAS SANITARIAS ANTE BROTE DE ENCEFALOMIELITIS EQUINA - MOVIMIENTOS DE EQUINOS**

**SERVICIO NACIONAL DE SANIDAD Y CALIDAD AGROALIMENTARIA  
DIRECCIÓN NACIONAL DE SANIDAD ANIMAL**

**Disposición 365/2023**

DI-2023-365-APN-DNSA#SENASA

Ciudad de Buenos Aires, 21/12/2023

VISTO el Expediente N° EX-2023-141567123-APN-DGTYA#SENASA; la Ley de Policía Sanitaria Animal N° 3.959, 22.421 y 27.233; la Resolución N° 38 del 3 de febrero de 2012 del entonces MINISTERIO DE AGRICULTURA, GANADERÍA Y PESCA; las Resoluciones Nros. RESOL-2021-153-APN-PRES#SENASA del 30 de marzo de 2021 y RESOL-2023-1219-APN-PRES#SENASA del 28 de noviembre de 2023, ambas del SERVICIO NACIONAL DE SANIDAD Y CALIDAD AGROALIMENTARIA; y las Disposiciones Nros. DI-2023-363-APN-DNSA#SENASA del 26 de noviembre de 2023 y DI-2023-364-APN-



DNSA#SENASA del 30 de noviembre de 2023, ambas de la Dirección Nacional de Sanidad Animal y,

**CONSIDERANDO:**

Que por la Ley de Policía Sanitaria Animal N° 3.959 se prevé la defensa de los ganados en el territorio de la REPÚBLICA ARGENTINA contra la invasión de enfermedades contagiosas exóticas.

Que mediante la Ley N° 27.233 se declara de interés nacional la sanidad de los animales y los vegetales, así como la prevención, el control y la erradicación de las enfermedades y de las plagas que afecten la producción silvoagropecuaria nacional, la flora y la fauna, entre otros, siendo el SERVICIO NACIONAL DE SANIDAD Y CALIDAD AGROALIMENTARIA (SENASA) la autoridad de aplicación y el encargado de planificar, ejecutar y controlar el desarrollo de las acciones previstas en la referida ley.

Que asimismo, la citada norma establece que será responsabilidad primaria e ineludible de toda persona humana o jurídica vinculada a la producción, obtención o industrialización de productos, subproductos y derivados de origen silvoagropecuario y de la pesca, cuya actividad se encuentre sujeta al contralor de la autoridad de aplicación de la presente ley, el velar y responder por la sanidad, inocuidad, higiene y calidad de su producción, de conformidad a la normativa vigente y a la que en el futuro se establezca.

Que la Ley N° 22.421 declara de interés público la fauna silvestre que, temporal o permanentemente, habita el Territorio Nacional, así como su protección, conservación, propagación, repoblación y aprovechamiento racional.

Asimismo, instruye que el control sanitario de la fauna silvestre proveniente del exterior y la que fuera objeto de comercio de tránsito internacional o interprovincial, será ejercido por el entonces SERVICIO NACIONAL DE SANIDAD ANIMAL, de acuerdo con las leyes que reglan su competencia y funcionamiento.

Que mediante la Resolución N° RESOL-2021-153-APN-PRES#SENASA del 30 de marzo de 2021 del mentado Servicio Nacional se establece la obligatoriedad de notificar oficialmente y de manera inmediata al SENASA, la sospecha o confirmación de determinadas enfermedades incluidas en la lista que se detalla como Grupo I en el Anexo de la citada resolución, entre las que se encuentran la **Encefalomiелitis Equina del Este (EEE)**, del Oeste (EEO) y Venezolana (EEV).

Que la Resolución N° 38 del 3 de febrero de 2012 del entonces MINISTERIO DE AGRICULTURA, GANADERÍA Y PESCA y su modificatoria, se aprueba el Manual de Infracciones del SERVICIO NACIONAL DE SANIDAD Y CALIDAD AGROALIMENTARIA, donde se establece que todos los agentes del mencionado Servicio Nacional, así como aquellos agentes de entidades públicas o privadas que por delegación de funciones tengan a su cargo el cumplimiento de funciones emanadas de éste, se encuentran facultados, dentro del ámbito de su competencia, para intervenir en el cumplimiento de las medidas que sean de aplicación por parte de dicho Organismo.

Que en fecha 25 de noviembre de 2023 se han obtenido en el INSTITUTO NACIONAL DE TECNOLOGÍA AGROPECUARIA (INTA) - Castelar y en el Instituto Vanella de la UNIVERSIDAD NACIONAL DE CÓRDOBA, resultados positivos al virus del género de los Alfavirus, familia Togaviridae en las Provincias de CORRIENTES y SANTA FE.

Que estos virus afectan a varios vertebrados, entre ellos los equinos y las personas que son hospedadores terminales y son transmitidos por vectores, principalmente mosquitos, durante las épocas estivales.

Que en consecuencia, mediante la Resolución N° 1219 del 28 de noviembre del 2023 se declaró el Estado de Emergencia Sanitaria en todo el territorio de la REPÚBLICA ARGENTINA, estableciendo medidas sanitarias inmediatas, extraordinarias, excepcionales y de contención ante brotes de **Encefalomiелitis Equina (EE)**.

Que la mentada norma ratificó lo dispuesto en la Disposición N° 363 del 26 de noviembre del 2023 de la Dirección Nacional de Sanidad Animal, la cual prohíbe los movimientos de egreso de equinos desde las provincias afectadas, en las que se ha diagnosticado la enfermedad, al resto del país.

Que por su parte, la Disposición N° 364 del 30 de noviembre del 2023 modificó la exigibilidad de la vacunación, atento a la limitada e insuficiente disponibilidad de vacunas contra dicha enfermedad.

Que el SENASA ha gestionado y arbitrado los medios para regularizar la disponibilidad de vacunas, asegurando la distribución de las mismas según los criterios epidemiológicos.

Que en función de la evolución y los cambios de la situación epidemiológica de la enfermedad en el País, resulta necesario adaptar la normativa a las necesidades sanitarias y productivas.

Que al momento de la firma de la presente disposición la enfermedad se encuentra distribuida en las Provincias de BUENOS AIRES, CHACO, CORRIENTES, CÓRDOBA, ENTRE RÍOS, FORMOSA, LA PAMPA, SANTA FE, SANTIAGO del ESTERO, RÍO NEGRO, SAN LUIS y SALTA.

Que luego de la aprobación del estado de emergencia sanitaria por Encefalomiелitis Equina del Oeste, se articularon acciones en conjunto con otros organismos públicos y privados que permiten establecer medidas en base a la evolución de la enfermedad y a los resultados obtenidos luego de las medidas excepcionales aplicadas para la contingencia de los brotes.

Que a los fines del comercio internacional, para la exportación de mercancías equinas, el SENASA certificará su exportación sólo ante el cumplimiento de las exigencias del país importador.

Que la Dirección de Asuntos Jurídicos ha tomado la intervención que le compete. Que la suscripta es competente para dictar la presente medida de conformidad con lo dispuesto en la Decisión Administrativa N° 1881 del 10 de diciembre de 2018 y sus modificatorias y el artículo 4° de la Resolución N° 1219 del 28 de noviembre de 2023 del SERVICIO NACIONAL DE SANIDAD Y CALIDAD AGROALIMENTARIA.

Por ello,

LA DIRECTORA NACIONAL DE SANIDAD ANIMAL

### **DISPONE:**

**ARTÍCULO 1°.-** Medidas sanitarias. Movimientos de Equinos Vacunados. Los equinos vacunados contra Encefalomiелitis Equina del Este y del Oeste podrán movilizarse por todo el territorio de la REPÚBLICA ARGENTINA, con la certificación sanitaria correspondiente en la que conste la vacunación con vacunas aprobadas por el SENASA, aplicada al menos QUINCE (15) días antes del movimiento.

**ARTICULO 2°.-** Medidas Sanitarias. Movimientos de Equinos no vacunados. Se establecen las siguientes condiciones para el movimiento de equinos no vacunados contra Encefalomiелitis equina del Este y del Oeste:

**Inciso a)** Los equinos no vacunados que se movilicen desde provincias en las que se ha diagnosticado encefalomiелitis equina, podrán hacerlo dentro de la misma provincia o hacia otras provincias que tengan la misma condición sanitaria, es decir, confirmación diagnóstica positiva de la enfermedad.

**Inciso b)** Los equinos no vacunados que se movilicen desde provincias en las que no se ha diagnosticado encefalomiелitis equina, podrán hacerlo dentro de la misma provincia o hacia otras provincias que tengan la misma condición sanitaria, es decir, en las que no se ha diagnosticado la enfermedad.

**ARTÍCULO 3°.-** Excepciones. Se establece la siguiente excepción a lo previsto en el Artículo 2°:

**Inciso a)** Equinos con destino faena directa. Se permite el movimiento de equinos en todo el Territorio Nacional con destino directo a frigoríficos.

**ARTÍCULO 4°.-** Concentraciones de equinos. A partir del 1° de febrero de 2024, los organizadores de eventos de concentración de equinos deberán exigir, antes del ingreso, que el animal cuente con una vacunación vigente para Encefalomielitis Equina del Este y del Oeste aplicada al menos QUINCE (15) días antes del movimiento.

**ARTÍCULO 5°.-** Alcance. La presente medida es de aplicación en todo el territorio de la REPÚBLICA ARGENTINA.

**ARTÍCULO 6°.-** Infracciones. Sin perjuicio de las medidas preventivas adicionales que pudieran adoptarse de conformidad con lo dispuesto por la Resolución N° 38 del 3 de febrero de 2012 del entonces MINISTERIO DE AGRICULTURA, GANADERÍA Y PESCA y su modificatoria, el incumplimiento de lo establecido en la presente resolución es pasible de las sanciones previstas en el Capítulo V de la Ley N° 27.233 y su Decreto Reglamentario N° DECTO-2019-776-APN-PTE del 19 de noviembre de 2019.

**ARTÍCULO 7°.-** Abrogación. Se abrogan la Disposición N° 363 del 26 de noviembre del 2023 y la Disposición N° 364 del 30 de noviembre del 2023, ambas de la Dirección Nacional de Sanidad Animal.

**ARTÍCULO 8°.-** Incorporación. Se incorpora la presente resolución en el Libro Tercero, Parte Tercera, Título II, Capítulo II Sección 4° - Equinos y Título III, Capítulo IV del Índice Temático del Digesto Normativo del SERVICIO NACIONAL DE SANIDAD Y CALIDAD AGROALIMENTARIA, aprobado por la Resolución N° 401 del 14 de junio de 2010 y su complementaria N° 738 del 12 de octubre de 2011, ambas del citado Servicio Nacional.

**ARTÍCULO 9°.-** Vigencia. La presente disposición entra en vigencia a partir de su publicación en el Boletín Oficial.

**ARTÍCULO 10°.-** Comuníquese, publíquese, dese a la DIRECCIÓN NACIONAL DEL REGISTRO OFICIAL y archívese.

## VIII. Competitions

### 1. III Ladies FIHB WHR World Cup

#### Participating Teams:

- Argentina;
- Australia;
- Belgium;
- Canada;
- France;
- Great Britain;
- Italy;
- Portugal;
- Spain;
- The Netherlands.

**Head of Series:** the Head of Series are referred to the Ladies Nations Ranking 2016-2024 that comprises the last 2 FIHB World Cups (see art.4bis FIHB Competition Rules 2024 ver.1.2):

1. Spain;
2. France;
3. Italy.

**Drawing results:** drawing carried out on Dec.21<sup>st</sup> 2024 during the FIHB Nations Online Meeting and list of day 1 matches:

- A = HoS 1<sup>st</sup> = Spain;
- F = The Netherlands;
- B = Canada;
- G = Argentina;
- C = HoS 3<sup>rd</sup> = Italy;
- H = Portugal;
- D = Belgium;
- I = Great Britain;
- E = HoS 2<sup>nd</sup> = France;
- J = Australia.

**Competition System:** 10 teams Option 1 (see FIHB Competition Rules 2024 ver.1.2):

10 TEAMS	OPTION 1						
<b>Description</b>	Qualifications with 5 direct matches The 4 worst losers of Day 1 play an all against all for the 7 <sup>th</sup> to 10 <sup>th</sup> place in Day 2, Day 4 and Day 5 The 5 winners and the best loser of Day 1 play 3 direct matches on Day 2, then: <ul style="list-style-type: none"> <li>the 2 worst losers play a forward and a return match for the 5<sup>th</sup> to 6<sup>th</sup> place in Day 4 and Day 5</li> <li>the 3 winners and the best loser play semifinals and finals for the 1<sup>st</sup> to 4<sup>th</sup> place in Day 4 and Day 6</li> </ul>						
<b>Teams</b>	A, B, C, D, E, F, G, H, I, J						
<b>Day 1</b>	A (HoS 1) vs F	result = w1 and l1			Qualifications		
	B vs G	result = w2 and l2					
	C (HoS 3) vs H	result = w3 and l3					
	D vs I	result = w4 and l4					
	E (HoS 2) vs J	result = w5 and l5					
<b>Day 2</b>	lw vs lx	4 worst losers Day 1	7 <sup>th</sup> to 10 <sup>th</sup>	all against all			
	ly vs lz						
	w1 vs w2	result = W1 and L1		1 <sup>st</sup> to 6 <sup>th</sup>			
	w3 vs w4	result = W2 and L2					
	w5 vs best ln	result = W3 and L3					
<b>Day 3</b>	REST						
<b>Day 4</b>	lw vs ly	4 worst losers Day 1	7 <sup>th</sup> to 10 <sup>th</sup>	all against all			
	lx vs lz						
	Ly vs Lz	2 worst losers Day 2		5 <sup>th</sup> to 6 <sup>th</sup>			forward math
	W1 vs W2		1 <sup>st</sup> to 4 <sup>th</sup>	semifinal 1			
	W3 vs best Ln			semifinal 2			
<b>Day 5</b>	lw vs lz	4 worst losers Day 1	7 <sup>th</sup> to 10 <sup>th</sup>	all against all			
	lx vs ly						
	Ly vs Lz	2 worst losers Day 2		5 <sup>th</sup> to 6 <sup>th</sup>			return match
<b>Day 6</b>	loser SF1 vs loser SF2		3 <sup>rd</sup> to 4 <sup>th</sup>		Finals		
	winner SF1 vs winner SF2		1 <sup>st</sup> to 2 <sup>nd</sup>				
<b>Ranking</b>	Qualifications: winner/loser of the direct matches (golden goal) 7 <sup>th</sup> to 10 <sup>th</sup> : sum of the points/goal average scored over all matches of the Day 2...Day 5 5 <sup>th</sup> to 6 <sup>th</sup> : sum of the points/goal average scored over the forward and return matches of the Day 4 and Day 5 Other direct matches, semifinals and finals: winner/loser (golden goal)						
<b>Drawing</b>	<ul style="list-style-type: none"> <li>Head of Series, 1<sup>st</sup> (= letter A), 2<sup>nd</sup> (= letter E) and 3<sup>rd</sup> (= letter C) of the FIHB Nations Ranking or the higher in the ranking for the category involved</li> <li>Basket A: other EU Nations and non EU Nations</li> </ul>						
<b>Drawing phases</b>	<b>Phase</b>	<b>match A-F</b>	<b>match B-G</b>	<b>match C-H</b>	<b>match D-I</b>	<b>match E-J</b>	
	1	HoS 1 <sup>st</sup> =A		HoS 3 <sup>rd</sup> =C		HoS 2 <sup>nd</sup> = E	
	2		1x Bask.A=B				
	3				1x Bask.A=D		
	4	1x Bask.A=F					
	5		1x Bask.A=G				
	6			1x Bask.A=H			
	7				1x Bask.A=I		
8					1x Bask.A=J		

## 2. V Pro Elite FIHB WHR World Cup

### Participating Teams:

- Argentina;
- Australia;
- Belgium;
- Canada;
- Chile;
- France;
- Great Britain;
- Italy;
- Japan;
- Kyrgyzstan;
- Mexico;
- Portugal;
- Spain;
- Uruguay.

**Head of Series:** the Head of Series are referred to the Pro Elite Nations Ranking 2016-2024 that comprises the last 2 FIHB World Cups (see art.4bis FIHB Competition Rules 2024 ver.1.2):

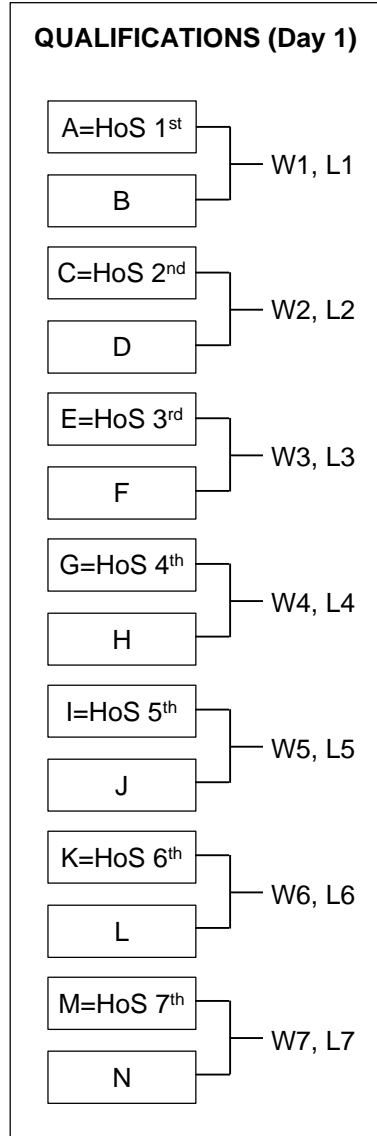
1. France;
2. Spain;
3. Belgium;
4. Italy;
5. Portugal;
6. Great Britain;
7. Argentina;

**Drawing results:** drawing carried out on Dec.21<sup>st</sup> 2024 during the FIHB Nations Online Meeting and list of day 1 matches:

- A = HoS 1<sup>st</sup> = France;
- B = Uruguay;
- C = HoS 2<sup>nd</sup> = Spain;
- D = Australia;
- E = HoS 3<sup>rd</sup> = Belgium;
- F = Chile;
- G = HoS 4<sup>th</sup> = Italy;
- H = Japan;
- I = HoS 5<sup>th</sup> = Portugal;
- J = Canada;
- K = HoS 6<sup>th</sup> = Great Britain;
- L = Kyrgyzstan;
- M = HoS 7<sup>th</sup> = Argentina;
- N = Mexico.

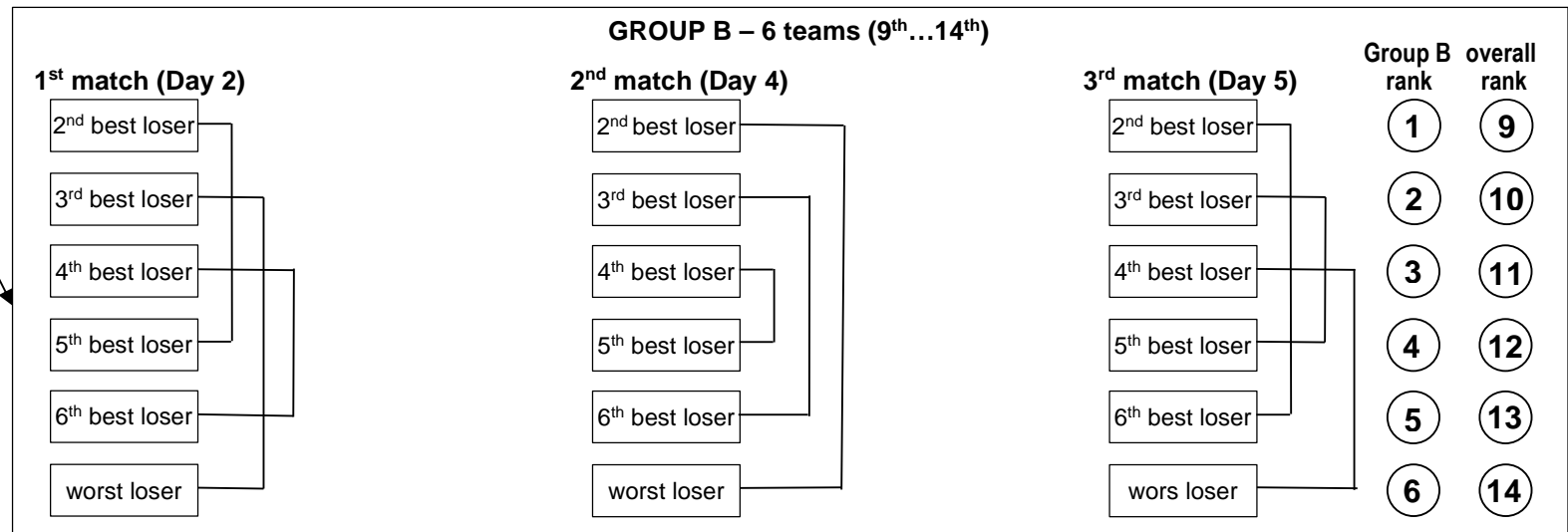
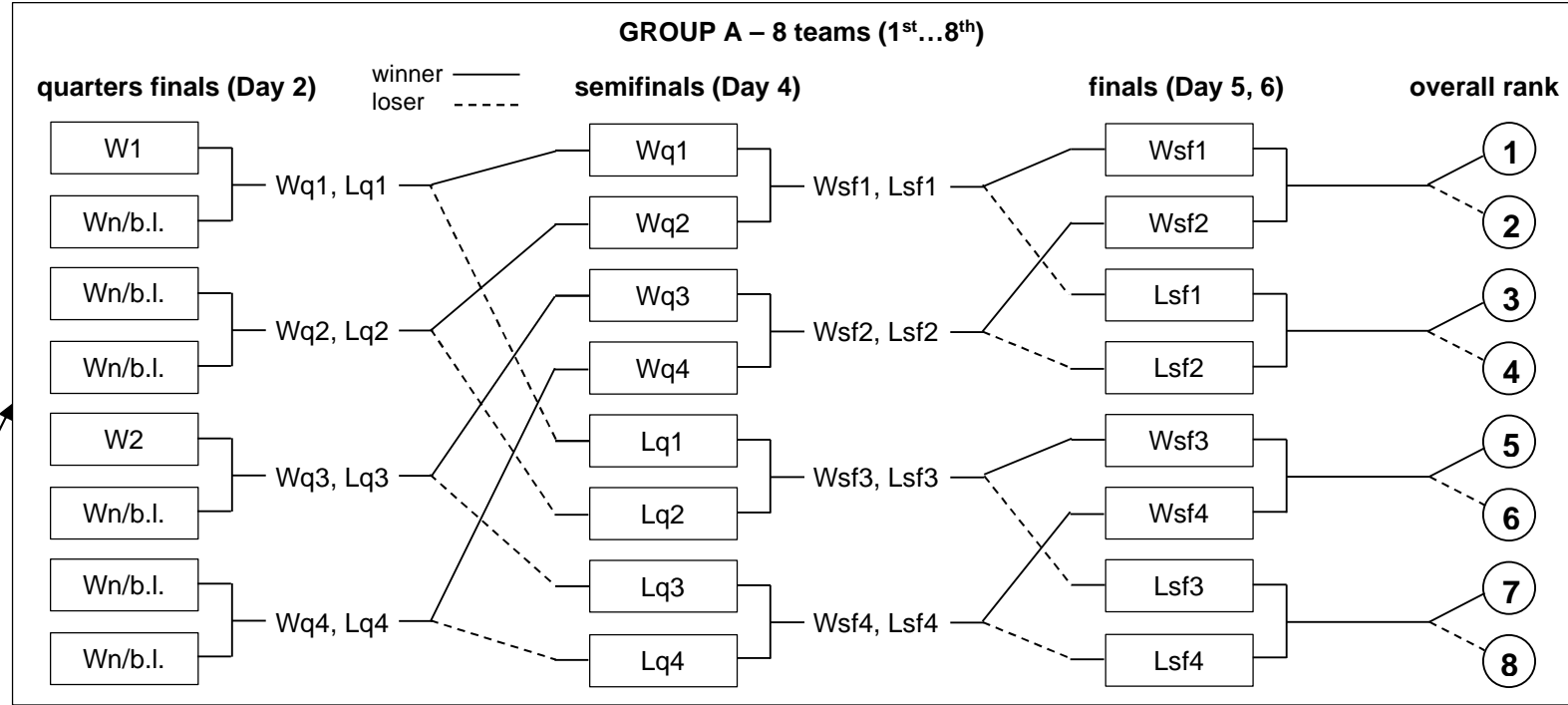
**Competition System:** 14 teams Option 1 (see FIHB Competition Rules 2024 ver.1.2):

14 TEAMS	OPTION 1								
<b>Description</b>	Qualifications with 7 direct matches. Then 2 groups are specified as follow: <ul style="list-style-type: none"> <li>Group A: the 7 winners and the best loser play quarter finals, semifinals and finals in the next days for the 1<sup>st</sup> to 8<sup>th</sup> place;</li> <li>Group B: the other 6 losers will play among them in the next days for the 1<sup>st</sup> to the 6<sup>th</sup> place of Group B (overall ranking: 9<sup>th</sup> to 14<sup>th</sup> place).</li> </ul>								
<b>Teams</b>	A, B, C, D, E, F, G, H, I, J, K, L, M, N								
<b>Day 1</b>	A (HoS 1) vs B	result = W1 and L1		Qualifications: with 7 winners (W1..W7) and 7 losers (L1..L7); the 7 losers are then ranked from the best loser till the worst loser (best loser, 2 <sup>nd</sup> best loser, 3 <sup>rd</sup> best loser, 4 <sup>th</sup> best loser, 5 <sup>th</sup> best loser, 6 <sup>th</sup> best loser, worst loser)					
	C (HoS 2) vs D	result = W2 and L2							
	E (HoS 3) vs F	result = W3 and L3							
	G (HoS 4) vs H	result = W4 and L4							
	I (HoS 5) vs J	result = W5 and L5							
	K (HoS 6) vs L	result = W6 and L6							
	M (HoS 7) vs N	result = W7 and L7							
<b>Day 2</b>	W1 vs Wn/best loser	result = Wq1 and Lq1		1 <sup>st</sup> to 8 <sup>th</sup>	Group A quarter finals Wn = W3, W4, W5, W6, W7; Wn or best loser by drawing; best loser not against the same team as per Day1				
	Wn/b.l. vs Wn/b.l.	result = Wq2 and Lq2							
	W2 vs Wn/best loser	result = Wq3 and Lq3							
	Wn/b.l. vs Wn/b.l.	result = Wq4 and Lq4							
	2 <sup>nd</sup> best loser vs 5 <sup>th</sup> best loser	1 <sup>st</sup> match between 6 worst losers Day 1		9 <sup>th</sup> to 14 <sup>th</sup>	Group B matches				
	3 <sup>rd</sup> best loser vs worst loser								
4 <sup>th</sup> best loser vs 6 <sup>th</sup> best loser									
<b>Day 3</b>	REST								
<b>Day 4</b>	Wq1 vs Wq2	result = Wsf1 and Lsf1		1 <sup>st</sup> to 4 <sup>th</sup>	Group A semifinals				
	Wq3 vs Wq4	result = Wsf2 and Lsf2							
	Lq1 vs Lq2	result = Wsf3 and Lsf3		5 <sup>th</sup> to 8 <sup>th</sup>	Group B Matches				
	Lq3 vs Lq4	result = Wsf4 and Lsf4							
	2 <sup>nd</sup> best loser vs worst loser	2 <sup>nd</sup> match between 6 worst losers Day 1		9 <sup>th</sup> to 14 <sup>th</sup>	Group B Matches				
	3 <sup>rd</sup> best loser vs 6 <sup>th</sup> best loser								
4 <sup>th</sup> best loser vs 5 <sup>th</sup> best loser									
<b>Day 5</b>	Wsf3 vs Wsf4		5 <sup>th</sup> to 6 <sup>th</sup>		Group A finals 5 <sup>th</sup> /8 <sup>th</sup>				
	Lsf3 vs Lsf4		7 <sup>th</sup> to 8 <sup>th</sup>						
	2 <sup>nd</sup> best loser vs 6 <sup>th</sup> best loser	3 <sup>rd</sup> match between 6 worst losers Day 1		9 <sup>th</sup> to 14 <sup>th</sup>	Group B Matches				
	3 <sup>rd</sup> best loser vs 5 <sup>th</sup> best loser								
	4 <sup>th</sup> best loser vs worst loser								
<b>Day 6</b>	Wsf1 vs Wsf2		1 <sup>st</sup> to 2 <sup>nd</sup>		Group A finals 1 <sup>st</sup> /4 <sup>th</sup>				
	Lsf1 vs Lsf2		3 <sup>rd</sup> to 4 <sup>th</sup>						
<b>Ranking</b>	Qualifications: winner/loser of the direct matches (golden goal) 9 <sup>th</sup> to 14 <sup>th</sup> : sum of the points/goal average scored over all matches of the Day 2, Day 4, Day 5 1 <sup>st</sup> to 8 <sup>th</sup> : winner/loser of the quarter finals, semifinals and finals (golden goal)								
<b>Drawing</b>	<ul style="list-style-type: none"> <li>Head of Series: 1<sup>st</sup> (=A), 2<sup>nd</sup> (=C), 3<sup>rd</sup> (=E), 4<sup>th</sup> (=G), 5<sup>th</sup> (=I), 6<sup>th</sup> (=K), 7<sup>th</sup> (=M) of the FIHB Nations Ranking, that comprises last 2 FIHB World Cups, or the higher in the ranking for the category involved</li> <li>Basket A: other EU Nations and non EU Nations</li> </ul>								
<b>Drawing phases</b>	<b>Phase</b>	<b>match A-B</b>	<b>match C-D</b>	<b>match E-F</b>	<b>match G-H</b>	<b>match I-J</b>	<b>match K-L</b>	<b>match M-N</b>	
	1	HoS 1 <sup>st</sup> =A	HoS 2 <sup>nd</sup> =C	HoS 3 <sup>rd</sup> =E	HoS 4 <sup>th</sup> =G	HoS 5 <sup>th</sup> =I	HoS 6 <sup>th</sup> =K	HoS 7 <sup>th</sup> =M	
	2							1x Bask.A=N	
	3						1x Bask.A=L		
	4					1x Bask.A=J			
	5				1x Bask.A=H				
	6			1x Bask.A=F					
	7		1x Bask.A=D						
8	1x Bask.A=B								



**GROUP A  
8 teams:**  
7 winners  
plus  
best loser

**GROUP B  
6 teams:**  
6 worst  
losers





### 3. SUMMARY OF THE MATCHES

<b>SUMMARY OF THE MATCHES</b>					
<b>2025 FIHB World Cup</b>					
<b>Buenos Aires (ARG), 24th...30th March 2025</b>					
Day	categ.	Ladies (10 teams)		Pro Elite (14 teams)	
Tuesday 25 <sup>th</sup> March		A vs F B vs G C vs H D vs I E vs J	Qualifications	A vs B C vs D E vs F G vs H I vs J K vs L M vs N	Qualifications
Wednesday 26 <sup>th</sup> March		lw vs lx ly vs lz	7 <sup>th</sup> to 10 <sup>th</sup>	2nd best loser vs 5th best loser 3rd best loser vs worst loser 4th best loser vs 6th best loser	9 <sup>th</sup> to 14 <sup>th</sup> Group B 1 <sup>st</sup> match
		w1 vs w2 w3 vs w4 w5 vs best ln	1 <sup>st</sup> to 6 <sup>th</sup>	W1 vs Wn/best loser Wn/best loser vs Wn/best loser W2 vs Wn/best loser Wn/best loser vs Wn/best loser	1 <sup>st</sup> to 8 <sup>th</sup> Group A quarter finals
Thursday 27 <sup>th</sup> March		<b>REST</b>			
Friday 28 <sup>th</sup> March		lw vs ly lx vs lz	7 <sup>th</sup> to 10 <sup>th</sup>	2nd best loser vs worst loser 3rd best loser vs 6th best loser 4th best loser vs 5th best loser	9 <sup>th</sup> to 14 <sup>th</sup> Group B 2 <sup>nd</sup> match
		ly vs lz	5 <sup>th</sup> to 6 <sup>th</sup>		
		W1 vs W2 W3 vs best Ln	1 <sup>st</sup> to 4 <sup>th</sup>	Lq1 vs Lq2 Lq3 vs Lq4	5 <sup>th</sup> to 8 <sup>th</sup> Group A semifinals
				Wq1 vs Wq2 Wq3 vs Wq4	1 <sup>st</sup> to 4 <sup>th</sup>
Saturday 29 <sup>th</sup> March		lw vs lz lx vs ly	7 <sup>th</sup> to 10 <sup>th</sup>	2nd best loser vs 6th best loser 3rd best loser vs 5th best loser 4th best loser vs worst loser	9 <sup>th</sup> to 14 <sup>th</sup> Group B 3 <sup>rd</sup> match
		ly vs lz	5 <sup>th</sup> to 6 <sup>th</sup>	Lsf3 vs Lsf4	7 <sup>th</sup> to 8 <sup>th</sup> Group A finals 5 <sup>th</sup> -8 <sup>th</sup>
		<b>REST 1<sup>st</sup> to 4<sup>th</sup></b>		Wsf3 vs Wsf4	5 <sup>th</sup> to 6 <sup>th</sup>
				<b>REST 1<sup>st</sup> to 4<sup>th</sup></b>	
Sunday 30 <sup>th</sup> March		loser SF1 vs loser SF2	3 <sup>rd</sup> to 4 <sup>th</sup>	Lsf1 vs Lsf2	3 <sup>rd</sup> to 4 <sup>th</sup> Group A finals 1 <sup>st</sup> -4 <sup>th</sup>
		winner SF1 vs winner SF2	1 <sup>st</sup> to 2 <sup>nd</sup>	Wsf1 vs Wsf2	1 <sup>st</sup> to 2 <sup>nd</sup>

### 4. COMPETITION TIMETABLE

**Matches schedule:** the OC has the right to schedule the matches of the Argentinian teams in days and time.

**Note:** modifications to the competition timetable can occur due to organizational issues, the FIHB and the OC will inform the National delegations at once.

**2025 FIHB WORLD CUP – Buenos Aires (ARG), 23<sup>rd</sup>...30<sup>th</sup> March 2025 - Overall time schedule – ver.1.0**

Day	Time	Activity	Notes
Saturday March 22 <sup>nd</sup>	09:00-21:00	Horses admission to the fair for all horses (Option 1 and Option 2) and veterinary horses inspection for rented horses (only for horses to be drawn, Option 1)	Delivery of all horse passports to the FIHB Office
Sunday March 23 <sup>rd</sup> 2025 Day -1	08:00-10:00	Team's training and competition pitch familiarization for teams that choose Option 2 for the horses	Pitch(es) under reservation (see training schedule)
	08:00-14:00	Accreditation of the National teams	At OC Office
	09:00-18:00	Supervisors, Referees and OC briefing	Meeting room
	10:00	Horses drawing	Box Area
	14:00-20:00	Team horses try-out and competition pitch familiarization for teams that choose Option 1 for the horses	Pitch(es) under reservation (see training schedule)
	Monday March 24 <sup>th</sup> 2025 Day 0	08:00-15:00	Team's training and competition pitch familiarization
10:00		Supervisors, Referees and OC briefing	Meeting room
11:30-15:30		Lunch	Restaurant
15:00		1 <sup>st</sup> Team Leader Meeting with final declaration of the horses assigned to each Ladies and Pro Elite team	Meeting room
17:00		Opening Ceremony	Indoor Arena
19:30-22:30		Dinner	Restaurant
Tuesday March 25 <sup>th</sup> 2025 Day 1	08:00	Supervisors, Referees and OC briefing	Meeting room
	08:00-10:00	Team's training	Pitch without reservation (see training schedule)
	08:30-10:06	Horses Inspection (see horse inspection schedule)	Indoor Arena
	10:45	Ladies: Spain vs The Netherlands	Indoor Arena
	11:30	Ladies: Italy vs Portugal	Indoor Arena
	12:15	Pro Elite: France vs Uruguay	Indoor Arena
	11:30-15:30	Lunch	Restaurant
	13:00-14:00	Break and resurfacing	Indoor Arena
	14:00	Ladies: Canada vs Argentina	Indoor Arena
	14:45	Pro Elite: Spain vs Australia	Indoor Arena
	15:30	Pro Elite: Belgium vs Chile	Indoor Arena
	16:15-16:30	Resurfacing	Restaurant
	16:30	Pro Elite: Italy vs Japan	Indoor Arena
	17:15	Pro Elite: Portugal vs Canada	Indoor Arena
	18:00	Ladies: Belgium vs Great Britain	Indoor Arena
	18:45-19:00	Resurfacing	Indoor Arena
	19:00	Pro Elite: Argentina vs Mexico	Indoor Arena
	19:45	Ladies: France vs Australia	Indoor Arena
	20:30	Pro Elite: Great Britain vs Kyrgyzstan	Indoor Arena
	21:15	Supervisors & Referees debriefing	Meeting room
21:30	Drawing for Pro Elite Group A Day 2 matches	Meeting room	
19:30-22:30	Dinner	Restaurant	

**Horse Inspection Schedule – March 25<sup>th</sup> 2025**

Veterinary Check Point 1				Veterinary Check Point 2			
time	Team	time	team	time	team	Time	team
08:30	Ladies: Spain	09:18	Pro Elite: Italy	08:30	Ladies: Italy	09:18	Pro Elite: Portugal
08:38	Ladies: The Netherlands	09:26	Pro Elite: Japan	08:38	Ladies: Portugal	09:26	Pro Elite: Canada
08:46	Pro Elite: France	09:34	Ladies: Belgium	08:46	Ladies: Canada	09:34	Pro Elite: Argentina
08:54	Pro Elite: Uruguay	09:42	Ladies: Great Britain	08:54	Ladies: Argentina	09:42	Pro Elite: Mexico
09:02	Pro Elite: Spain	09:50	Ladies: France	09:02	Pro Elite: Belgium	09:50	Pro Elite: Great Britain
09:10	Pro Elite: Australia	09:58	Ladies: Australia	09:10	Pro Elite: Chile	09:58	Pro Elite: Kyrgyzstan

**2025 FIHB WORLD CUP – Buenos Aires (ARG), 23<sup>rd</sup>...30<sup>th</sup> March 2025 - Overall time schedule – ver.1.0**

Day	Time	Activity	Notes	
Wednesday March 26 <sup>th</sup> 2025 Day 2	07:45	Supervisors, Referees and OC briefing	Meeting room	
	08:00	Team Leader Meeting	Meeting room	
	08:00-10:00	Team's training	Pitch without reservation (see training schedule)	
	08:30-10:06	Horses Inspection (see horse inspection schedule)	Indoor Arena	
	<b>Indoor Arena</b>		<b>Central Arena</b>	
	10:45	Match	11:00	Match
	11:30	Match		
	12:15	Match		
			11:45	Match
			12:30	Match
	11:30-15:30	Lunch	Restaurant	
	13:15-14:15	Break and resurfacing	Indoor Arena	
	14:15	Match	Indoor Arena	
	15:00	Match	Indoor Arena	
	15:45	Match	Indoor Arena	
	16:30-16:45	Resurfacing	Indoor Arena	
	16:45	Match	Indoor Arena	
17:30	Match	Indoor Arena		
18:15	Match	Indoor Arena		
19:00	Supervisors & Referees debriefing	Meeting room		
22:00	FIHB World Awards Dinner	Restaurant to be defined		

**Horse Inspection Schedule – March 26<sup>th</sup> 2025**

Veterinary Check Point 1				Veterinary Check Point 2			
time	team	time	team	time	team	time	team
08:30		09:18		08:30		09:18	
08:38		09:26		08:38		09:26	
08:46		09:34		08:46		09:34	
08:54		09:42		08:54		09:42	
09:02		09:50		09:02		09:50	
09:10		09:58		09:10		09:58	

**2025 FIHB WORLD CUP – Buenos Aires (ARG), 23<sup>rd</sup>...30<sup>th</sup> March 2025 - Overall time schedule – ver.1.0**

Day	Time	Activity	Notes
Thursday March 27 <sup>th</sup> 2025 Day 3	08:00-20:00	Team's training	Pitch(es) without reservation (see training schedule)
	11:30-15:30	Lunch	
	19:30-22:30	Dinner	
Friday March 28 <sup>th</sup> 2025 Day 4	07:45	Supervisors, Referees and OC briefing	Meeting room
	08:00	Team Leader Meeting	Meeting room
	08:00-10:00	Team's training	Pitch without reservation (see training schedule)
	08:30-10:06	Horses Inspection (see horse inspection schedule)	Indoor Arena
	10:45	Match	Indoor Arena
	11:30	Match	Indoor Arena
	12:15	Match	Indoor Arena
	11:30-15:30	Lunch	Restaurant
	13:00-14:00	Break and resurfacing	Indoor Arena
	14:00	Match	Indoor Arena
	14:45	Match	Indoor Arena
	15:30	Match	Indoor Arena
	16:15-16:30	Resurfacing	Indoor Arena
	16:30	Match	Indoor Arena
	17:15	Match	Indoor Arena
	18:00	Match	Indoor Arena
	18:45-19:15	Break and resurfacing	Indoor Arena
	19:15	Match	Indoor Arena
20:00	Match	Indoor Arena	
20:45	Match	Indoor Arena	
21:30	Supervisors & Referees debriefing	Meeting room	
19:30-22:30	Dinner	Restaurant	

**Horse Inspection Schedule – March 28<sup>th</sup> 2025**

Veterinary Check Point 1				Veterinary Check Point 2			
time	team	time	team	time	team	time	team
08:30		09:18		08:30		09:18	
08:38		09:26		08:38		09:26	
08:46		09:34		08:46		09:34	
08:54		09:42		08:54		09:42	
09:02		09:50		09:02		09:50	
09:10		09:58		09:10		09:58	

**2025 FIHB WORLD CUP – Buenos Aires (ARG), 23<sup>rd</sup>...30<sup>th</sup> March 2025 - Overall time schedule – ver.1.0**

Day	Time	Activity	Notes
Saturday March 29 <sup>th</sup> 2025 Day 5	08:00-10:30	Team's training	Pitch without reservation (see training schedule)
	08:30	Supervisors, Referees and OC briefing	Meeting room
	08:45	Team Leader Meeting	Meeting room
	09:15-10:19	Horses Inspection (see horse inspection schedule)	Indoor Arena
	11:30	Match	Indoor Arena
	12:15	Match	Indoor Arena
	11:30-15:30	Lunch	Restaurant
	13:00-16:00	Break and resurfacing	Indoor Arena
	16:00	Match	Indoor Arena
	16:45	Match	Indoor Arena
	17:30	Match	Indoor Arena
	18:15-18:45	Break and resurfacing	Indoor Arena
	18:45	Match	Indoor Arena
	19:30	Match	Indoor Arena
	20:15	Match	Indoor Arena
	21:00	Supervisors & Referees debriefing	Meeting room
19:30-22:30	Dinner	Restaurant	

**Horse Inspection Schedule – March 29<sup>th</sup> 2025**

Veterinary Check Point 1				Veterinary Check Point 2			
time	team	time	team	time	team	time	team
09:15		09:47		09:15		09:47	
09:23		09:55		09:23		09:55	
09:31		10:03		09:31		10:03	
09:39		10:11		09:39		10:11	

**2025 FIHB WORLD CUP – Buenos Aires (ARG), 23<sup>rd</sup>...30<sup>th</sup> March 2025 - Overall time schedule – ver.1.0**

Day	Time	Activity	Notes
Sunday March 30 <sup>th</sup> 2025 Day 6	08:00-12:00	Team's training	Pitch without reservation (see training schedule)
	10:00	Supervisors, Referees and OC briefing	Meeting room
	10:30	Team Leader Meeting	Meeting room
	11:00-11:32	Horses Inspection (see horse inspection schedule)	Indoor Arena
	11:30-15:30	Lunch	Restaurant
	14:30	Match – 3 <sup>rd</sup> /4 <sup>th</sup> place Ladies	Indoor Arena
	15:15	Match – 3 <sup>rd</sup> /4 <sup>th</sup> place Pro Elite	Indoor Arena
	16:00-16:30	Break and resurfacing	Indoor Arena
	16:30	Match – 1 <sup>st</sup> /2 <sup>nd</sup> place Ladies	Indoor Arena
	17:15	Match – 1 <sup>st</sup> /2 <sup>nd</sup> place Pro Elite	Indoor Arena
18:00	Prize giving ceremony	Indoor Arena	

**Horse Inspection Schedule – March 30<sup>th</sup> 2025**

Veterinary Check Point 1				Veterinary Check Point 2			
time	team	time	team	time	team	time	team
11:00		11:16		11:00		11:16	
11:08		11:24		11:08		11:24	

## 5. TRAINING & FAMILIARIZATION TIMETABLE

PITCH		WARM UP pitch indoor pitch with goal	COMPET.Indoor Arena indoor pitch with goal	COMPET.Central Arena outdoor pitch with goals	COOL DOWN pitch indoor pitch no goals
DAY					
SUN	Mar.23rd	TRAINING (horses Opt.2) 08:00-14:00	FAMILIARIZATION Opt.2 08:00-14:00		TRAINING (horses Opt.2) 08:00-14:00
		TRY OUTS (horses Opt.1) 14:00-20:00	FAMILIARIZATION Opt.1 14:00-20:00		TRY OUTS (horses Opt.1) 14:00-20:00
MON	Mar.24th	TRAINING 08:00-15:00	FAMILIARIZATION 08:00-15:00		TRAINING 08:00-15:00
TUE	Mar.25th	TRAINING 08:00-10:00	HORSE INSPECTION 08:00-10:30		HORSE INSP.WARM UP 08:00-10:00
		WARM UP 10:00-21:00	COMPETITION 10:30 -21:30		COOL DOWN 11:30-22:00
WED	Mar.26th	TRAINING 08:00-10:00	HORSE INSPECTION 08:00-10:30	NOT AVAILABLE	HORSE INSP.WARM UP 08:00-10:00
		WARM UP 10:00-18:30	COMPETITION 10:30 -19:00	COMPETITION 10:30 -13:30	COOL DOWN 11:30-19:30
THU	Mar.27th	TRAINING 08:00-20:00	TRAINING 08:00-20:00		TRAINING 08:00-20:00
FRI	Mar.28th	TRAINING 08:00-10:00	HORSE INSPECTION 08:00-10:30		HORSE INSP.WARM UP 08:00-10:00
		WARM UP 10:00-21:00	COMPETITION 10:30 -21:30		COOL DOWN 11:30-22:00
SAT	Mar.29th	TRAINING 08:00-10:30	HORSE INSPECTION 09:00-10:30		HORSE INSP.WARM UP 08:45-10:30
		WARM UP 10:30-20:30	COMPETITION 11:00-21:00		COOL DOWN 12:00-21:30
SUN	Mar.30th	TRAINING 08:00-12:00	HORSE INSPECTION 10:30-11:45		HORSE INSP.WARM UP 10:30-11:30
		WARM UP 14:00-17:30	COMPETITION 14:00-19:30		COOL DOWN 15:00-18:00

## 6. DISTRIBUTION OF INFO, PROGRAMS, RESULTS & RANKINGS VIA THE "SPORTITY" APP FOR TABLETS AND SMARTPHONES

Information, program, results and rankings will be communicated via the APP for tablets and smartphones called "Sportity". This application facilitates the distribution of information making it faster, provides all the relevant information for participants and the public, reduces the need for paper and informs participants in case of changes or urgent messages through push notifications.

The "Sportity" APP is available free of charge on Android and Apple operating systems and is compatible with both tablets and smartphones. It can be downloaded with the following QR codes or directly from the APP stores.

The password for the 2025 FIHB World Cup is the following:

**WC2025**



## IX. Entry forms

The following entry forms are below available:

- Entry in principle (to be sent by May 1<sup>st</sup> 2024);
- Nominative entry (to be sent by September 1<sup>st</sup> 2025);
- Definitive entry (to be sent by January 15<sup>th</sup> 2025).

Thank you to send your entries via e-mail on the attached forms to:

- [competitions@fihb.net](mailto:competitions@fihb.net)

<b>Entry in principle (by May 1<sup>st</sup> 2024)</b>			
national federation or ONHB		contact name	
e-mail			
Phone		Fax	
Category <input type="checkbox"/> <b>Ladies</b>	number of persons (6...10)	team leader name	
team leader phone		team leader e-mail	
Category <input type="checkbox"/> <b>Pro Elite</b>	number of persons (6...10)	team leader name	
team leader phone		team leader e-mail	
Place		Date	



**2025 FIHB World Cup – Buenos Aires (ARG), 24<sup>th</sup> ...30<sup>th</sup> March 2025**  
**NOMINATIVE ENTRY**  
To be sent within September 1<sup>st</sup> 2024 to [pgemme@fihb.net](mailto:pgemme@fihb.net)

Nation		Category		<input type="checkbox"/> Ladies <input type="checkbox"/> Pro Elite		Colours of the playing shirts		1	2	3 opt
N	playing shirt number	Captain	First & Last name	Birth date	Nationality (note 1)	arrival date & flight	departure date & flight	Insurance valid In Latin America		Notes
1	Players (min 6, max 8 players)							<input type="checkbox"/> yes <input type="checkbox"/> no		
2								<input type="checkbox"/> yes <input type="checkbox"/> no		
3								<input type="checkbox"/> yes <input type="checkbox"/> no		
4								<input type="checkbox"/> yes <input type="checkbox"/> no		
5								<input type="checkbox"/> yes <input type="checkbox"/> no		
6								<input type="checkbox"/> yes <input type="checkbox"/> no		
7								<input type="checkbox"/> yes <input type="checkbox"/> no		
8								<input type="checkbox"/> yes <input type="checkbox"/> no		
9	Team Leader							<input type="checkbox"/> yes <input type="checkbox"/> no	phone	
									e-mail	
10	Coach							<input type="checkbox"/> yes <input type="checkbox"/> no	phone	
									e-mail	

note 1: proof of nationality must be sent to [pgemme@fihb.net](mailto:pgemme@fihb.net) with a photo of the passport or ID stating about the nationality

Horses	Horses Option 1	Horses Option 2	N	Horse name	Year of birth	Horse chip number
<p>For the horses, each team can choose between these 2 options:</p> <p>1. Rented horses assigned by a drawing on Sunday March 23<sup>rd</sup> 2025;</p> <p>2. Horses rented by the teams in advance or own horses.</p> <p>Other info available in the definitive program</p>	<p><b>Option 1:</b> rented horses assigned by a drawing on Sunday March 23<sup>rd</sup> 2025.</p> <p>Please indicate here below the number of rented horses your team needs (min 7, max 8 horses):</p> <p><input type="checkbox"/> 7 horses <input type="checkbox"/> 8 horses</p>	<p><b>Option 2:</b> horses rented by the teams in advance or own horses.</p> <p>Please fill in the table at the right end side (min 7, max 8 horses).</p>	1			
			2			
			3			
			4			
			5			
			6			
			7			
			8			

**2025 FIHB World Cup – Buenos Aires (ARG), 24<sup>th</sup> ...30<sup>th</sup> March 2025**

**DEFINITIVE ENTRY**

To be sent within January 15<sup>th</sup> 2025 to [pgemme@fihb.net](mailto:pgemme@fihb.net)

Nation		Category		<input type="checkbox"/> Ladies <input type="checkbox"/> Pro Elite		Colours of the playing shirts		1	2	3 opt
N	playing shirt number	Captain	First & Last name	Birth date	Nationality (note 1)	arrival date & flight	departure date & flight	Insurance valid In Latin America	Notes	
1	Players (min 6, max 8 players)							<input type="checkbox"/> yes <input type="checkbox"/> no		
2								<input type="checkbox"/> yes <input type="checkbox"/> no		
3								<input type="checkbox"/> yes <input type="checkbox"/> no		
4								<input type="checkbox"/> yes <input type="checkbox"/> no		
5								<input type="checkbox"/> yes <input type="checkbox"/> no		
6								<input type="checkbox"/> yes <input type="checkbox"/> no		
7								<input type="checkbox"/> yes <input type="checkbox"/> no		
8								<input type="checkbox"/> yes <input type="checkbox"/> no		
9	Team Leader							<input type="checkbox"/> yes <input type="checkbox"/> no	phone	
									e-mail	
10	Coach							<input type="checkbox"/> yes <input type="checkbox"/> no	phone	
									e-mail	

note 1: proof of nationality must be sent to [pgemme@fihb.net](mailto:pgemme@fihb.net) with a photo of the passport or ID stating about the nationality

Horses	Horses Option 1	Horses Option 2	N	Horse name	Year of birth	Horse chip number
<p>For the horses, each team can choose between these 2 options:</p> <p>1. Rented horses assigned by a drawing on Sunday March 23<sup>rd</sup> 2025;</p> <p>2. Horses rented by the teams in advance or own horses.</p> <p>Other info available in the definitive program</p>	<p><b>Option 1:</b> rented horses assigned by a drawing on Sunday March 23<sup>rd</sup> 2025.</p> <p>Please indicate here below the number of rented horses your team needs (min 7, max 8 horses):</p> <p><input type="checkbox"/> 7 horses <input type="checkbox"/> 8 horses</p>	<p><b>Option 2:</b> horses rented by the teams in advance or own horses.</p> <p>Please fill in the table at the right end side (min 7, max 8 horses).</p>	1			
			2			
			3			
			4			
			5			
			6			
			7			
			8			

## Annex 1

### RELEASE FORM

**EVERY PARTICIPANT IN 2025 FIHB WHR WORLD CUP SHALL CAREFULLY READ THIS RELEASE BEFORE SIGNING; NO PARTICIPANT WILL BE ALLOWED TO TAKE PART PRIOR TO SIGNING THIS RELEASE AS REQUIRED.**

#### WARNING

**An equine event hosts animal so, the FIHB, the Organising Committee or other persons involved in the organization don't have the duty to eliminate all the risks of injury of the participation in these activities. There are inherent risks of injury that you voluntarily accept if you participate in this event.**

"Inherent risks of equine events" shall mean those dangers or conditions that are an integral part of equine activities, including, but not limited to:

- (1) propensity of an equine to behave in ways that may result in injury, harm, or death to persons on or around them and/or damage to property in their vicinity;
- (2) the unpredictability of and equine's reactions to such things as sound, sudden movement, and unfamiliar objects, people or other animals;
- (3) the equine's response to certain hazards such as surface and subsurface conditions;
- (4) collisions with other equine, animals, people and objects;
- (5) the potential of a participant to act in a negligent manner that may contribute to injury to the participant or to others, such as failing to maintain control over the equine or to act within his or her ability.

Neither the FIHB, the Organising Committee, officials, volunteers, staff, nor sponsors thereof shall in any way be liable for any accident, injury, damage, loss, or for any other matter that may happen to exhibitors, participants, owners, agents, or to anyone on the grounds. It is understood and agreed that by participating in 2025 FIHB WHR World Cup, all exhibitors, owners, agents, and representatives hereby acknowledge that the equestrian activity involves inherent dangerous risk and by signing below, the undersigned does hereby indemnify and hold harmless the FIHB, the Organising Committee, officials, volunteers, staff, and sponsors thereof from and against any and all loss, costs, or expenses, of any claim thereof, of whatever nature, arising from, or on account of, or by any reason of, participation in this event.

Signed this \_\_\_\_\_ day of \_\_\_\_\_, 2025.

\_\_\_\_\_  
Print Name

\_\_\_\_\_  
Nation you are with

\_\_\_\_\_  
Parent or legal Guardian if participant is a minor (under the age of 18)

This release and acknowledgement shall remain in effect for the duration of 2025 FIHB WHR World Cup and until all horses and property has been removed from La Rural grounds.